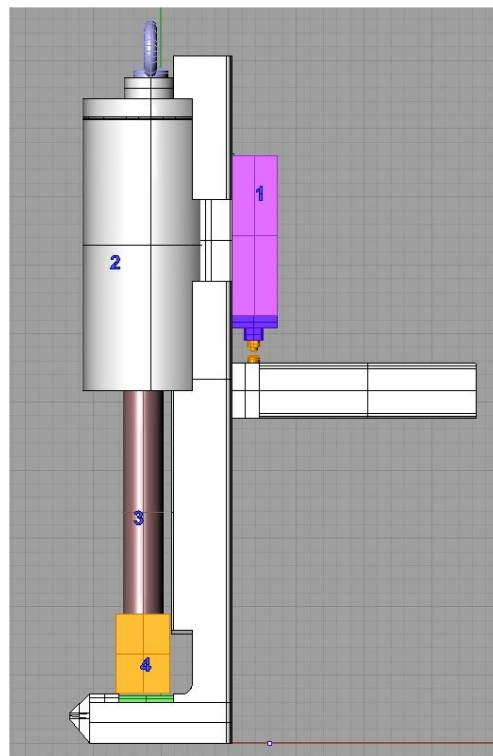
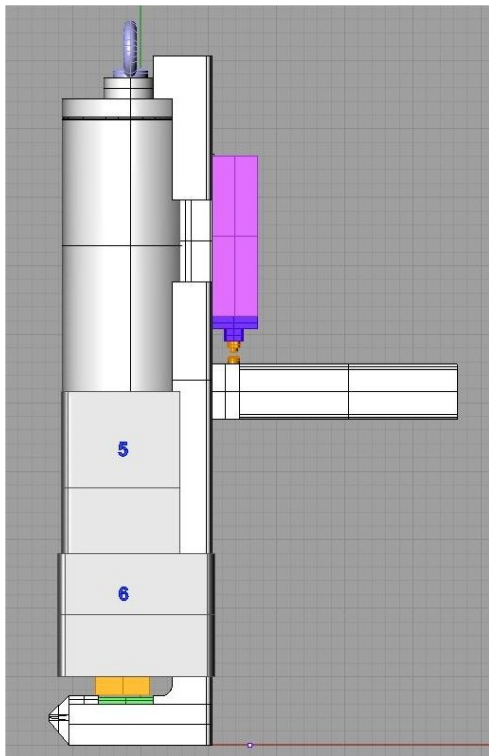


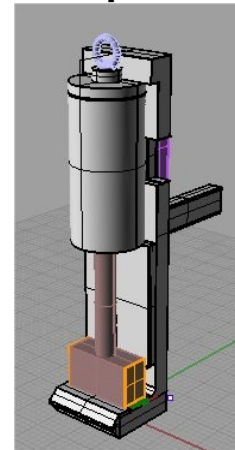
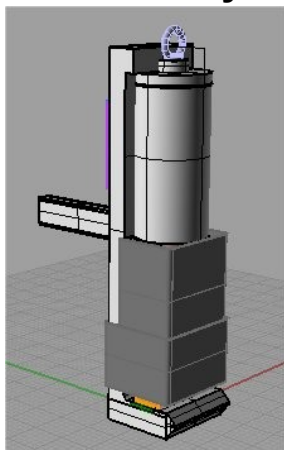


## Pneumatic Hammer D-4

### Spare Parts Lists



1. Pneumatic Valve
2. Cylinder's Seals
3. Piston Stem
4. Digits Keeper
5. Upper Safety Protection (not to be removed while operating)
6. Hand Safety Protection (not to be removed while operating)





# Danese Maurizio s.r.l.

MACCHINE PER CONCIERIA - ACCESSORI  
NASTRI DI TRASPORTO E RICAMBI

TANNERY MACHINES - ACCESSORIES  
CONVEYOR BELTS AND SPARE PARTS

36071 ARZIGNANO (VI) ITALY

Via Calavena Bassa, 60

Tel. (+39) 0444-671065

Fax (+39) 0444-670192

E-Mail: info@danese maurizio.com

R.I. VI, C.F. e P. Iva n. 02457820245

R.E.A. 232454/VI - Cap. Soc. € 101.490,00 i.v.

## DATI IDENTIFICATORI . IDENTIFICATION DATA

### COSTRUTTORE . MANUFACTURER

DANESE MAURIZIO S.R.L.

VIA CALAVENA BASSA, 60

36071 ARZIGNANO (VI)

ITALY



+39 (0444) 1836024



+39 (0444) 670192

## CERTICAZIONE . CERTIFICATION

Marcatura CE



### MODELLO . TYPE

Pneumatic Hammer D4

### ANNO DI COSTRUZIONE . YEAR OF MANUFACTURING

2007

## Important Safety Warnings

For maintenance or to disassemble partially or even completely the D4, please switch air-compressed off, and de-compress the hammer's internal circuit.

The device is built to be used AS IT IS, without any modification by third parties. If modifications and safety protections (part. 5 and 6) are removed, then Danese cannot be liable for any claim coming from the use of the hammer.

Danese Maurizio srl